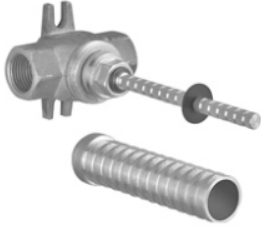


Wall valve clockwise closing 1/2" -

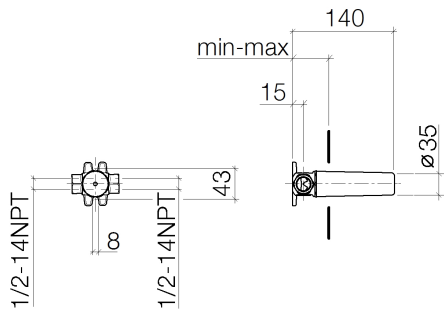
35 621 970



- red brass, lead-free
- female thread 1/2" connection
- head part with cut-to-length spindle and sleeve
- dust cover
- anti-water packing

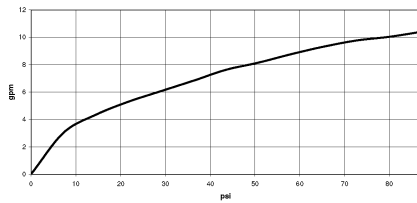
Wall valve clockwise closing 1/2" -

35 621 970



	min	max
Square	50	105
Square Exclusive	50	105
Cult	50	110
Madison	50	110
Source	50	110
Soul	50	115
LULU	50	125
Modern		
Tara. Logic	50	125
Meta.02	50	125
L'Aura	50	125
Circle	50	130
Madison Flair	50	130
Just	50	130
Vaia	53	124
Domicil	55	105
LaFleur	65	130
Supernova	65	130
Symetrics	65	130
Deque	65	130
Tara.	65	130
MEM	85	130
CL.1	85	130

Flow rate chart

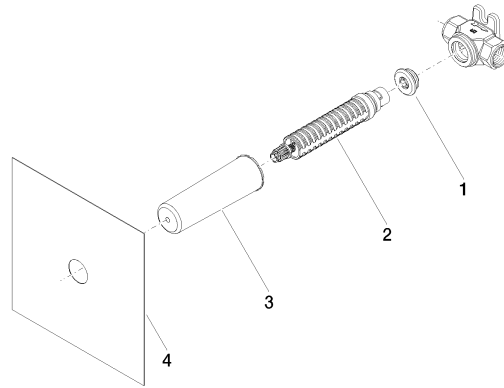


Certificates

IAPMO_4976 (3). IAPMO_6397 (1).

Wall valve clockwise closing 1/2" -

35 621 970



Spare parts list

No.	Item Number	Name	Quantity used	Delivery time
1	04 31 20 006 00 90	plug	1	2
2	90 90 03 143 00 90	top	1	2
3	09 21 02 102 90	cap	1	2
4	04 14 03 072 01 90	gasket kit	1	2